



ALPHA™

Marquee ActiveX Control

Communicate with your ALPHA™ Marquee directly from any application that supports the use of ActiveX controls including:

- Manufacturing Software such as Human Machine Interfaces (HMI)
- Business Applications such as Microsoft Excel
- Development Environments such as Visual Basic and Visual C++.

The Alpha Marquee ActiveX Control comes complete with everything you need to trigger messages, alarms and display real time information. Install, configure and use the marquee driver in minutes. The ALPHA Marquee ActiveX Control will communicate with any of the ALPHA marquees via Lan (TCP/IP) or Serially (PC COM Port).



ALPHA 4080



ALPHA NEMA 12 4120



ALPHA 7160

Features

- Display real-time production statistics
- Broadcast Event/Alarm conditions
- Controls text attributes such as color, font, flashing, etc.
- Directly display your existing database messages
- All options can be set programmatically at run time
- LAN supports via TCP/IP
- Serial support via PC COM port
- Easy to install and use

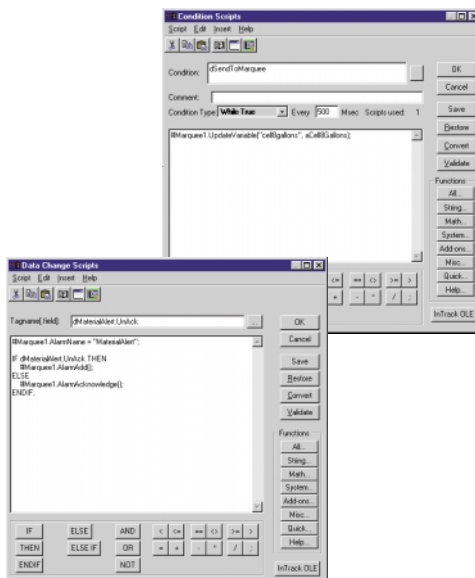
Alarms

- Alarms can be acknowledged individually or as a group
- All alarms can be acknowledged by setting the value of a tag in your HMI
- Includes Editor to configure alarm messages
- The system can be configured to automatically acknowledge alarms as they return to normal, without operator intervention

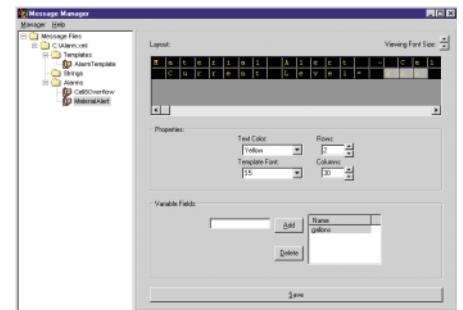
Supported Environments

- Rockwell RSView
- GE Cimplicity
- Wonderware
- Intellution
- Visual Basic
- Visual C++
- Others Available

Wonderware scripts



ALPHA™ ActiveX Editor



Innovative Communication Software Tool

From the ADAPTIVE[™] Software Product Line

Configuration Methods

Initialize

- Initializes the network connection and the marquee

ChangeMode

- Changes the current operational mode of the Marquee (Statistics vs Alarms)

Reset

- Sends a soft reset to the marquee display

UpdateVariable

- Updates a variable field on the marquee

QuickDisplay

- Sends a text string to the marquee to be displayed

AlarmAdd

- Adds an alarm to the control's alarm display queue

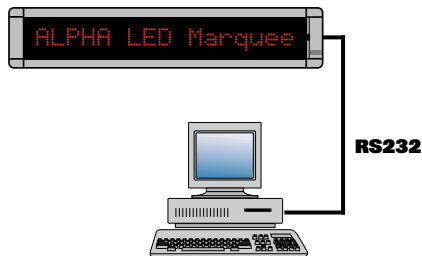
AlarmAck

- Removes an alarm from the control's alarm queue

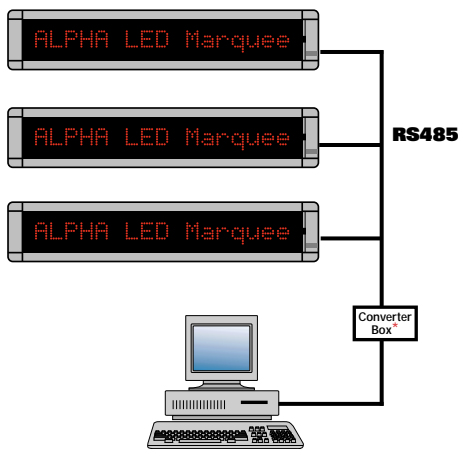
AlarmAckAll

- Removes all alarms from the control's alarm queue

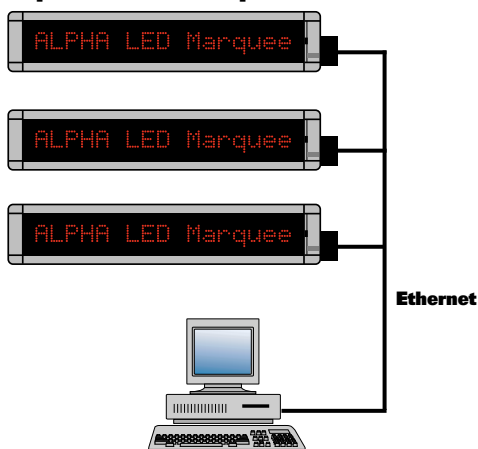
Single Marquee Network



Multiple Marquee Network



LAN Network using Alpha Ethernet Adapters*



Network
Configurations

*The ALPHA Converter Box and Ethernet Adapter are both sold separately