

AlphaEclipse™ RoadStar™ Series Outdoor LED Display

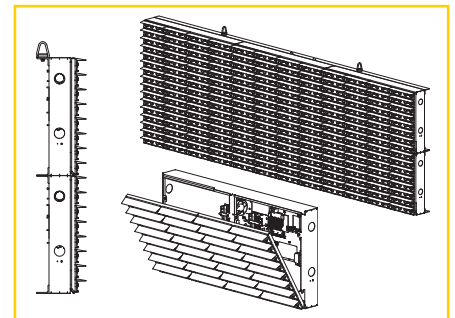


AlphaEclipse™ ROAD STAR Series

The AlphaEclipse™ RoadStar™ series is designed for maximum visibility along highways, highly elevated installations, or any application requiring long distance visibility. Its unique, modular, state-of-the-art design produces a dynamic advertising message center that is highly energy efficient, easy to operate, install and service.

Advertise your products and services at a moments notice to dramatically increase your company's sales and profits, like no other advertising medium can. Become a recognized landmark in your local community. Superior PureColor™ LED design exhibits excellent color contrast, is very bright and provides you with a display that will impact your daily drive-by audience with dazzling, professional advertising messages that cannot be ignored.

- **Retrofit** – Replace your old incandescent or flip disk technology.
- **Flexible** – Many modular sizes to meet your display needs from 1.5ft. tall x 5ft. long to 14ft. tall x 46ft. long.
- **Powerful** – Visible from several hundred to over 3000 feet—large diameter LED pixels.
- **Dynamic** – At a moment's notice, brilliant advertising messages and graphics attract the attention of your drive-by audiences.
- **Efficient** – Energy Smart Technology is affordable, reliable and energy efficient.
- **Economical** – A *single investment* in LED advertising displays will help you to eliminate reoccurring expenditures on traditional yellow pages, newspaper, radio, TV (shotgun) advertising that do not reach your targeted drive-by audience.
- **Profitable** – Create new sales and profits as no other advertising medium can by stimulating and increasing daily impulse purchases.



- All weather fully modular case design
- Easy front case access to all parts
- Red or amber color options

Standard Features

- AlphaNet™ Pro Software included with exclusive user tutorial CBT(computer based training) program
- Five-year limited factory depot warranty
- PureColor™ LED design enables maximum brightness
- Convenient calendar scheduling of messages
- Display text, graphics and animations (BMP/GIF)
- Front access to all electronic components
- Modular design enables fast delivery
- Many sizes from 1.5' x 5' to 14' x 46'
- Convenient PC control from home/office
- Wired or wireless connectivity
- 256 shades of red or amber



AlphaEclipse™ RoadStar™ Series Specifications*

Rows	Columns	Depth: 17.5" is 10"D 24.5" is 11.75"D Case H" x W"		Character Height Per Line 17.5" Display	Character Height Per Line 24.5" Display	Number of Characters Per Line	Red Rated Max 115VAC Input Current (Amps)		Amber Rated Max 115VAC input Current (Amps)		Weight with mounting brackets		Number of sections to ship & install
		17.5	24.5				17.5	24.5	17.5	24.5			
7	64	1'8"x13'4"	2'4"x18'8"	17.5" / 1 line	24.5" / 1 line	10/1	6	9	9	12	210	350	2
7	80	1'8"x16'8"	2'4"x23'4"			13/1	7	11	11	15	360	440	2
7	96	1'8"x20'	2'4"x28'			16/1	8	13	13	18	310	530	2
16	64	3'4"x13'4"	4'8"x18'8"	40" / 1 line	56" / 1 line 24.5" / 2 lines	10/2	12	19	18	27	460	770	2
16	80	3'4"x16'8"	4'8"x23'4"	25" / 1 line		13/2	14	23	23	33	580	960	2
16	96	3'4"x20'	4'8"x28'	17.5" / 2 lines		16/2	17	27	27	39	690	1150	2
24	64	5'x13'4"	7'x18'8"	60" / 1 line	84" / 1 line 35" / 2 line 17.5" / 4 lines	21/1	17	27	27	39	690	1155	2
24	80	5'x16'8"	7'x23'4"	50" / 1 line 25" / 2 line		24/1	21	34	34	49	870	1440	2
24	96	5'x20'	7'x28'	12.5" / 4 lines		26/1	25	41	40	58	1035	1725	2
32	64	6'8"x13'4"	9'4"x18'8"	80" / 1 line 50" / 1 line	112" / 1 line 53" / 2 line 35" / 3 lines 17.5" / 5 lines	10/4	22	36	36	52	920	1540	2
32	80	6'8"x16'8"	9'4"x23'4"	37.5" / 2 line 25" / 3 lines 12.5" / 5 lines		13/4	28	45	45	65	1160	1925	2
32	96	6'8"x20'	9'4"x28'	80" / 1 line 50" / 2 line 25" / 3 lines 12.5" / 6 lines		16/4	33	54	53	77	1380	2300	2
40	64	8'4"x13'4"	11'8"x18'8"	80" / 1 line 50" / 2 line	112" / 1 line 70" / 2 line 53" / 3 lines 35" / 6 lines	10/5	28	45	45	65	1150	1925	4
40	80	8'4"x16'8"	11'8"x23'4"	12.5" / 6 lines		13/5	34	56	56	81	1450	2400	4
40	96	8'4"x20'	11'8"x28'	80" / 1 line 50" / 2 line 25" / 3 lines 12.5" / 8 lines		16/5	41	67	67	96	1725	2875	4
48	64	10'x13'4"	14'x18'8"	80" / 1 line 50" / 2 line	112" / 1 line 70" / 2 line 53" / 3 line 35" / 4 lines 17.5" / 8 lines	10/6	33	54	53	77	1380	2310	4
48	80	10'x16'8"	14'x23'4"	37.5" / 3 line 25" / 4 lines		13/6	41	67	67	96	1740	2880	4
48	96	10'x20'	14'x28'	12.5" / 8 lines		16/6	49	80	80	115	2070	3450	4

* Nominal specifications, dimensions, and weights - Please contact your AlphaEclipse dealer for architectural drawings. Due to continuing product innovations, all specifications are subject to change without notice.

Pixel (LED) Color:	256 shades of red or amber	(Special Features Continued) <ul style="list-style-type: none"> – Industry standard compact flash memory for message storage – Comprehensive remote diagnostic program – External temperature probe (optional) – Internal AC power switch for servicing – Light colored, designed to limit solar heat rise internally – Automatic thermal protection – Serially uploadable FLASH EPROM memory for upgrading firmware – Auto night time dimming (8 levels) – Back to back synchronization supported
Viewability:	125°	
Center-to-Center Pixel Spacing (Pitch):	17.5" character –2.5" (64mm) Pitch 24.5" character –3.5" (89mm) Pitch	
Character Set:	International character set, block (sans serif), decorative (serif), upper/lower case, slim, wide, double wide, and shadow	
Message Capacity:	95 different messages can be stored and scheduled to be displayed according to time and date	
Message Presentation:	<ul style="list-style-type: none"> – 27 unique presentation styles – Continuous message entry with automatic centering in any mode – User programmable logos and graphics – Programmable hold times - up to 6 minutes – Calendar scheduling 	
Temperature Accuracy:	±1° Typically	
Clock/Date:	Date in multiple formats and time in 12 or 24-hour formats	
Serial Communication Interface:	Standard RS232 and RS485 Options: On site wireless, telephone or fiberoptic modem. Factory tested, configured and installed inside the AlphaEclipse case	
Battery:	Lithium battery for time/date retention during power interruptions for at least 1 year	
Special Features:	– Sealed enclosure design prevents external contaminate penetration and filter maintenance	
Communications:	Alpha® Communications Protocol	<ul style="list-style-type: none"> – Front access to all components – Lift off hinged door for ease of service – 17.5" char. is 10" deep including steel mtg. brackets – 24.5" char. is 11.75" deep including steel mtg. brackets * Note: Many additional matrix sizes available to 14'x46', consult your AlphaEclipse dealer.
Power:	115/230 VAC ± 10% - 50/60 Hz single phase	
Case Material:	UL 50 type 3R, IP 44, aluminum cabinet	
Limited Warranty:	Five-year limited factory depot parts warranty	
Agency Approvals:	FCC Part 15, Class A ANSI/UL 60950 -1 CAN/CSA C22.2 60950-1-03 C-ETL-US listing mark and CE marking	
Operating Temperature:	-40° to 122°F / -40° to 50°C	
Mounting:	Steel mounting angle Design facilitates welding, bolting, or riveting techniques	
Module/case dimensions:		